

UNCONTROLLED DOCUMENT

CAUTION: STATIC SENSITIVE DEVICE  
 FOLLOW PROPER E.S.D. HANDLING PROCEDURES  
 WHEN WORKING WITH THIS PART.  
 ESD CLASSIFICATION: CLASS II BASED ON MIL-STD 883E.

PART NUMBER		REV.
SSP-LXC128924		A
REV.	E.C.N. NUMBER AND REVISION COMMENTS	DATE
A	E.C.N. #10626	6-1-00

ELECTRO-OPTICAL CHARACTERISTICS T<sub>A</sub>=25°C

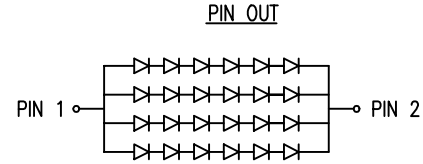
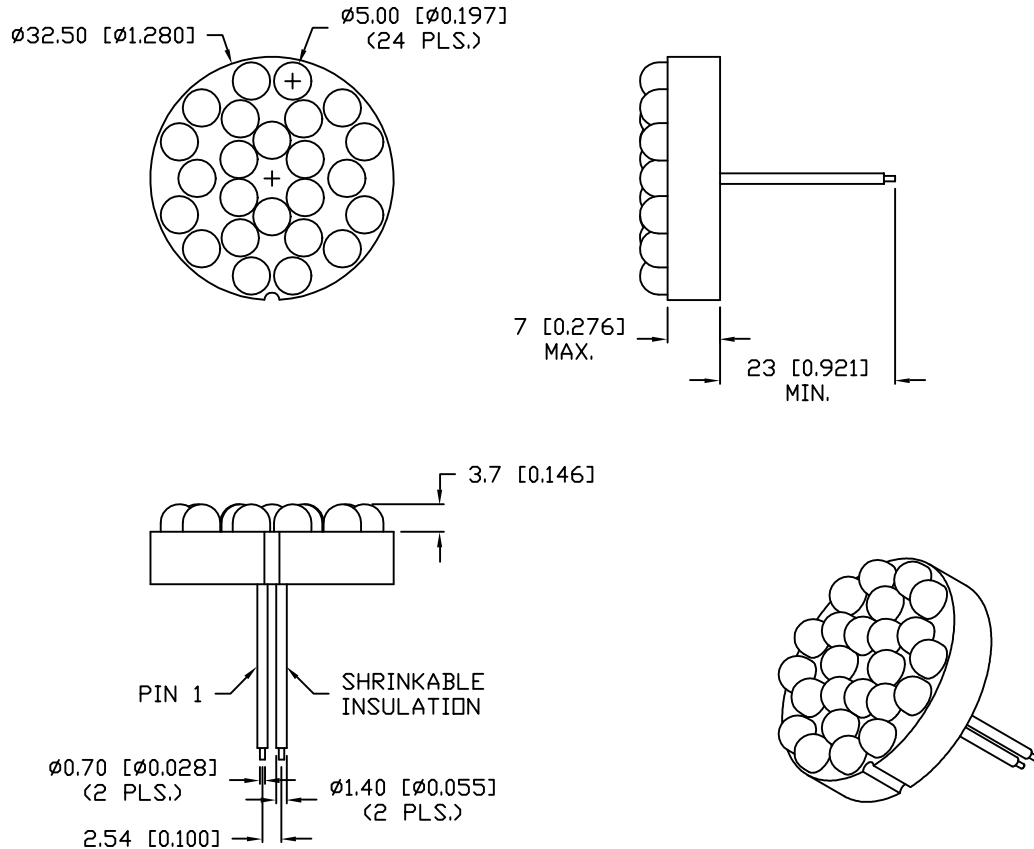
PARAMETER	SYMBOL	MIN	TYP	MAX	UNITS	TEST COND
PEAK WAVELENGTH			550		nm	
FORWARD VOLTAGE*	V <sub>f</sub>		21	24	V	I <sub>f</sub> =80mA
REVERSE VOLTAGE	V <sub>r</sub>	5.0			V	I <sub>r</sub> =10μA
AXIAL INTENSITY**	I <sub>v</sub>		2000		mcd	I <sub>f</sub> =80mA
CHROMATICITY	X	0.28	0.31	0.34		I <sub>f</sub> =80mA
COORDINATES***	Y	0.29	0.32	0.35		
VIEWING ANGLE			30		2x theta	
EMITTED COLOR:	WHITE					
EPOXY LENS FINISH:	WATER CLEAR					

\*\* INTENSITY PER DIE.  
 AXIAL INTENSITY TESTING CONDITION: 550nm WAVELENGTH.  
 \*\*\* CHROMATICITY COORDINATES PER THE ICI STANDARD COLORIMETRIC SYSTEM.

LIMITS OF SAFE OPERATION AT 25°C PER DIE

PARAMETER	MAX	UNITS
PEAK FORWARD CURRENT*	90	mA
STEADY CURRENT	30	mA
POWER DISSIPATION	98	mW
DERATE FROM 25°C	-1.0	mW/°C
OPERATING, STORAGE TEMP.	-30 TO +70	°C
SOLDERING TEMP.	+260	°C
2.0mm FROM BODY		3 SEC. MAX

\* t<10μS



UNCONTROLLED DOCUMENT

\*UNLESS OTHERWISE SPECIFIED TOLERANCES PER DECIMAL PRECISION ARE: X=±1 (±0.039), X.X=±0.5 (±0.020), X.XX=±0.25 (±0.010), X.XXX=±0.127 (±0.005). LEAD SIZE=±0.05 (±0.002), LEAD LENGTH=±0.75 (±0.030). MIN.= +DECIMAL PRECISION MAX.= +0.00 -DECIMAL PRECISION

REV. A	PART NUMBER SSP-LXC128924	CONFIDENTIAL INFORMATION THE INFORMATION CONTAINED IN THIS DOCUMENT IS THE PROPERTY OF LUMEX INC. EXCEPT AS SPECIFICALLY AUTHORIZED IN WRITING BY LUMEX INC., THE HOLDER OF THIS DOCUMENT SHALL KEEP ALL INFORMATION CONTAINED HEREIN CONFIDENTIAL AND SHALL PROTECT SAME IN WHOLE OR IN PART FROM DISCLOSURE AND DISSEMINATION TO ALL THIRD PARTIES.	<b>LUMEX</b> INCORPORATED	290 E. HELLEN ROAD PALATINE, ILLINOIS 60067 PHONE: (847) 359-2790 WEB: <a href="http://www.lumex.com">http://www.lumex.com</a>
1.28" CIRCULAR, 24 LAMP POLY-LED, 550nm WHITE LEDS, WATER CLEAR LENS.		RELIABILITY NOTE OUR MANY YEARS OF EXPERIENCE DATA ACCUMULATION INDICATE THAT SOLDER HEAT IS A MAJOR CAUSE OF EARLY AND FUTURE FAILURE. PLEASE PAY ATTENTION TO YOUR SOLDERING PROCESS.	DRAWN BY: SK	CHECKED BY: APPROVED BY: DATE: 4-28-00 PAGE: 1 OF 1 SCALE: N/A